

TRETIGHT™

TRETIGHT 1100

Inflatable dock seal with outstanding sealing ability

Helps keeping energy costs down and product quality up

If an industry building is not equipped with a proper dock sealing solution, the loss of refrigerated or cooled air leads to unnecessarily high energy bills. Insufficient protection against dirt, dust and insects causes inferior goods quality. With TRETIGHT™ you will get a dock seal with the highest sealing ability possible.

- Saves energy and improves work environment
- Fits a majority of loading bays and vehicles of different dimensions
- Made from an extremely durable and weatherproof material
- Quickly inflated and easy to install and maintain
- Can be adapted to meet specifications

Applications

- Cold storage facilities
- Food & Beverage industry
- Logistic & Distribution centres
- Warehouses



TRETIGHT™

TRETIGHT 1100

Inflatable dock seal with outstanding sealing ability

Product Profile

- TRETIGHT™ is an inflatable loading dock seal with outstanding sealing ability. By minimising the loss of refrigerated or cooled air, it helps improving energy conservation and cutting down on energy costs.
- TRETIGHT™ is made of a unique, flexible chloroprene rubber coated fabric. In combination with low pressure, the material preserves internal temperatures and protects products from outside contaminants.
- TRETIGHT™ creates the draught-free climate you need between any vehicle and the loading dock in a matter of seconds – regardless of the prevailing temperature.

Key Features

- Saves energy and improves work environment.
- Made from a strong, very durable and weatherproof material
- Offers an outstanding resistance against wear and tear.
- Cushions (top and side) from different TRETIGHT™ models can be combined to meet special requirements. Through its flexible construction, TRETIGHT™ fits a majority of loading bays and vehicles of different dimensions.
- Quickly inflated and easy to install and maintain.



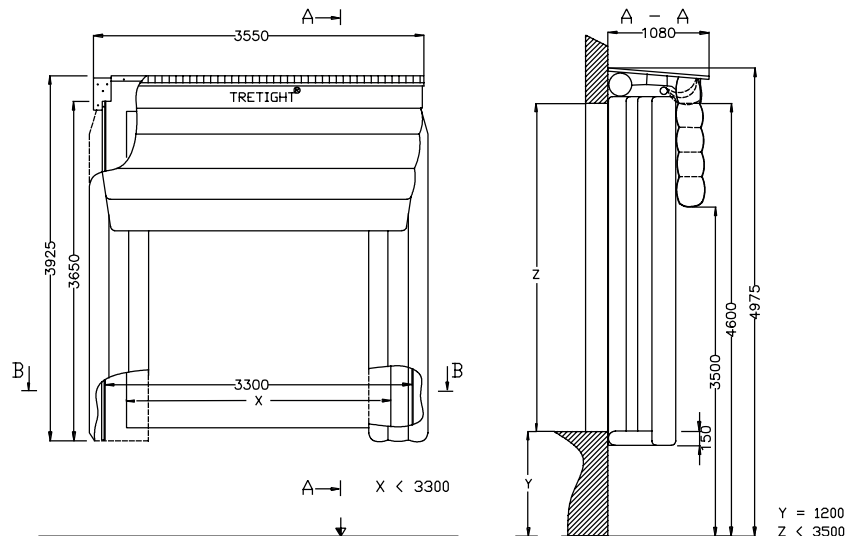
ANSELL 1612 [ENG]

Top Cushion Measurements (mm)

TOP	NUMBER OF DUCTS	WIDTH	OVERALL WIDTH	EXTENSION LENGTH
1100S	5	3200	3250	1100
1100L	5	3500	3550	1100

Side Cushion Measurements (mm)

SIDE	NUMBER OF DUCTS	LENGTH	OVERALL LENGTH	CLOSING SPACE
1100S	4	3500	3775	700
1100L	5	3650	3925	1000



Construction

The TRETIGHT™ system consists of 4 main parts, which can be combined to meet customer requirements:

- Top cushion
- Side cushions (right and left)
- Fitting set

For inflation, the system uses a 3-phase fan (part of the fitting items), which ensures a tight seal to the docked vehicle.



Ansell Protective Solutions AB

Johan Kocksgatan 10
231 81 Trelleborg, Sweden
Tel: +46 (0)10 205 1800,
Fax: +46 (0)10 205 1840
order.protective@ansell.com
<http://protective.ansell.com>