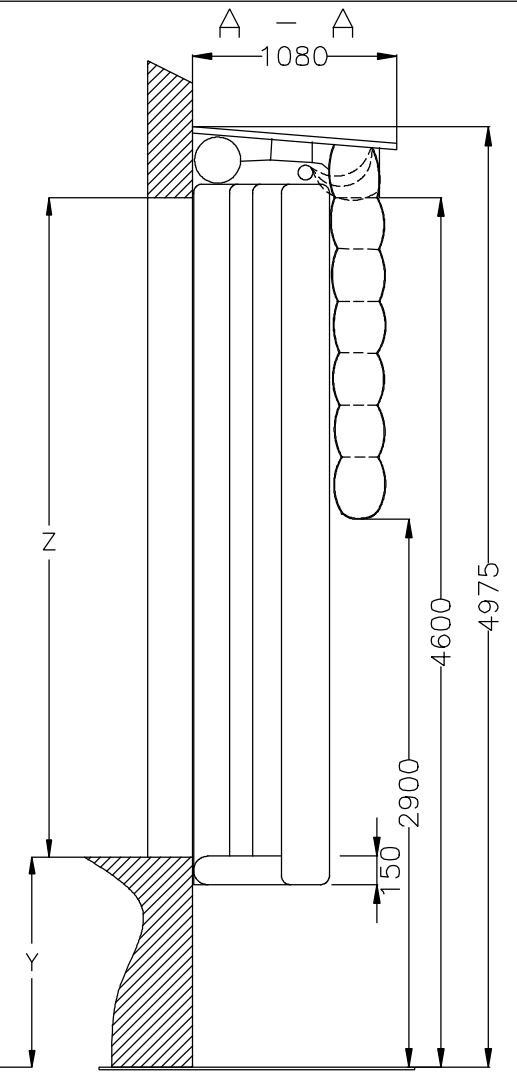
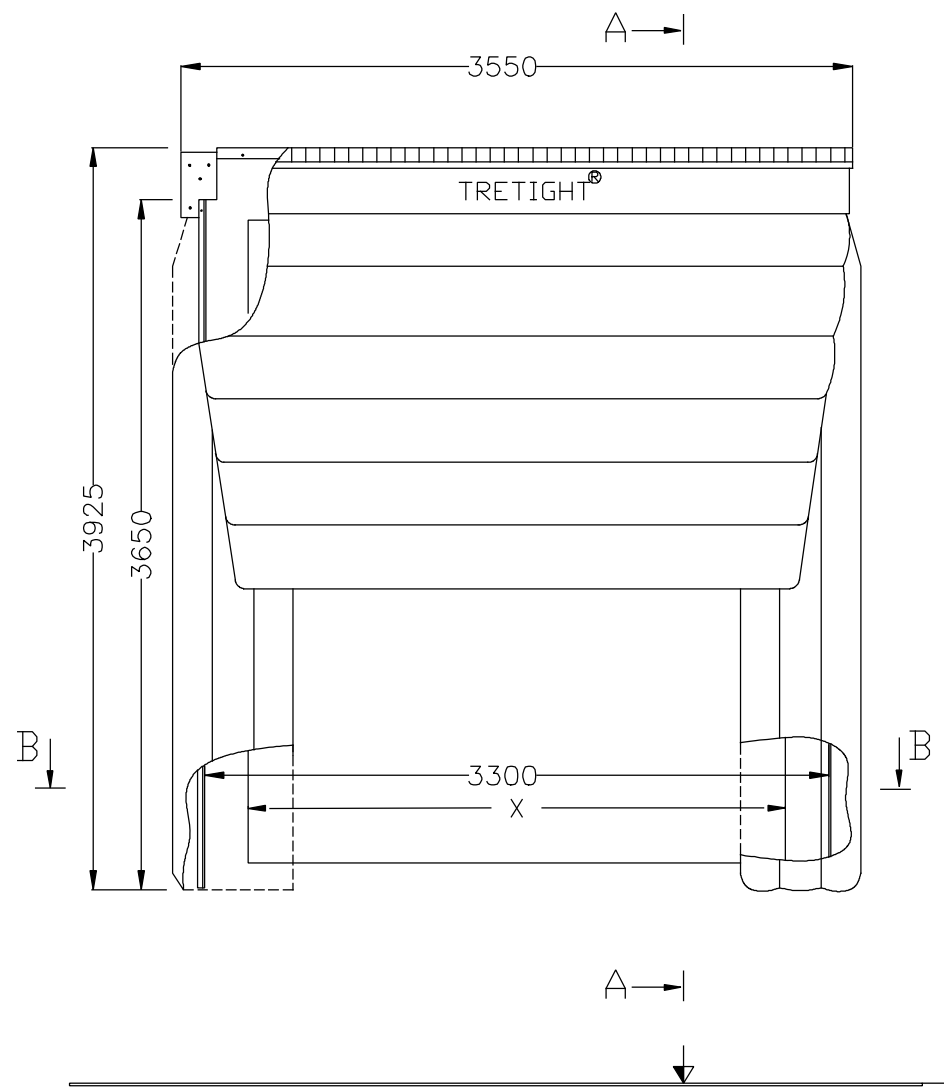
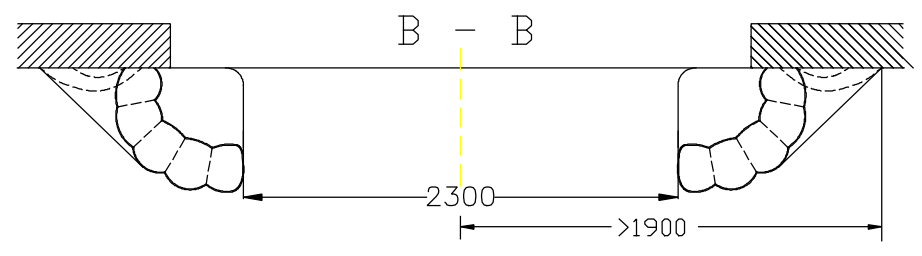


RevNo	Revision note	Date	Signature	Checked
1				



Y = 1200
X < 3300
Z < 3500



Sheet	Description			Art.no._	
Designed by LSN_TPPAB	Checked by LSN	Approved by - date LSN	Filename TPP	Date LSN_2012-01-02	Scale 1:40
ANSELL Protective Solutions AB			TRETIGHT_1700L		
			6-4-363035-43	Edition A	Sheet 1/1